

METAL DETECTOR SA

Metaldetectorsa.co.za | metaldetectorsa@gmail.com

SUPERSEARCH 3000 W/T DETECTOR

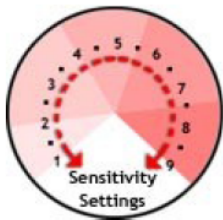
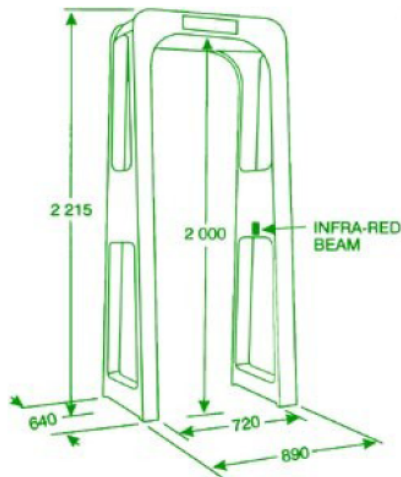
Operation

The Popular 2000 was designed as a quality security detector with most of the features of more expensive units. The unit incorporates a detector coil and infrared photocell in each side. When a preset amount of metal passing through the unit is exceeded an audio alarm is given. In addition, a set of voltage-free contacts is provided to actuate a remote alarm, or lock a turnstile, etc. The unit includes power and fault indication.

Construction

The detector frame is constructed from fiberglass, which ensures that the unit is robust and durable, and will not deteriorate with time. The attractive modern shape incorporates open sides, which minimises the feeling of being restricted. Mounting holes can be provided for on request. The detector is normally stocked in a standard light grey, but alternative colours can be requested.

Dimensions



Sensitivity Settings

- Unit will not detect metal
- Detection of larger items
- Standard gun detection range
- Detection of smaller items only
- Highly sensitive - Not recommended

Please Note: When using this unit for theft purposes please consult with one of the sales members before purchasing this item.

Features

- Bi-directional operation
- Mass of metal indicator (optional)
- Detects ferrous and non-ferrous metals
- Free standing
- Battery backup system
- Infra-red photo cell
- Durable fiberglass construction
- Available in various colours
- Auto-balance
- Interlocking relay
- Weather proof top available
- Adjustable sensitivity

Applications

- Public buildings
- Airports
- Law Courts
- Prisons
- Sporting Venues
- Concerts
- Night Clubs
- Industrial Facilities
- Banks

Technical Data

- Supply Voltage : 220 volt/110 volt
50/60 Hz \pm 5%
- Power Consumption : 5,5VA
- Audio Alarm
- Weight : Approximately 35 KG

Accessories

- Weather proof top
- Standby battery backup

Metal Detector SA