

Metal Detector SA

metaldetectorsa@gmail.com | www.metaldetectorsa.co.za

4025

Portable, Very Compact, Parcel X-ray for Explosives,
Weapons & Narcotics



*Lower profile, bottom-up design makes items and fine lines much sharper and larger on-screen.

Control Screening is the leading worldwide producer of fast, reliable and sophisticated X-ray, Metal and Trace Detection screening systems. Visit us at www.controlscreening.com. Ask about our mobile and cargo systems. Our advanced systems and options are often integrated, leased or rented.

The AUTOCLEAR® 4025 (featuring a 40.0 cm wide x 25.5 cm high or 15.8" wide x 10.0" high tunnel opening) is a compact, lightweight and ergonomic conveyerized X-ray system designed to inspect briefcases, purses, cameras, laptops, backpacks, shoes, mailbags, bins and parcels. Ideal for use at:



RealClear® reveals components of a gun, knife, narcotics in bottle, and bomb in real time, without lags and delays. autoScale® displays contents at Pentium 4 resolution automatically and without distortion.



User-friendly, ergonomic and fully-featured operator control panel.

Schools • Courthouses
Correctional Facilities
Corporate Facilities • Mailrooms
Embassies
Government Buildings
Special Events • Airports
Military Bases • Banks
Police Stations
Nightclubs • Law Firms
Executive Mail

Features

- ➔ Very portable, compact and affordable. Designed for narrow halls and spaces, and fits through any doorway. Ergonomic height and small footprint enhance security.
- ➔ Ideal size, penetration and throughput for screening mail, laptops, shoes, coats, binned items, electronic devices, food, handbags, and cameras.
- ➔ Advanced, bright, digital color image. High throughput folded array images full mailbags, long packages (posters, drawings) and taller items. Unlike high-dose analog, door-based fluoroscopes with dull, monochrome, indirect views, the 4025 is film-safe and will not cut off corners.
- ➔ Features Pentium 4, 17" monitor, RealClear®, autoScale®, autoDensAlert®, autoOutline®, autoSensing®, autoCal®, 64X Smart Zoom, Lighten, Help, DensityScan, and Low Density Stripping, among other features.
- ➔ 90kV, 10mm penetration eliminates hand searches. Twice the penetration available in less portable systems costing more.
- ➔ Multi-Energy Color option with Organic/Inorganic Stripping is popular. TIP, Training and Image Archiving also available. Material Marking® option highlights suspected items by combining atomic number range and density, for higher discrimination.
- ➔ autoTracking® guided conveyor belt system never needs adjustment, lowering operating costs.
- ➔ Full autoSensing® eliminates the need for troublesome photosensors or footpad switch. Assures 100% screening of thin blades or plastic in magazines or courier envelopes, or of bag already in tunnel at start-up.
- ➔ Interactive training and highly responsive service at all times. Engineered, made and rigorously tested in the USA to ISO 9001 and regulatory standards.

Model 4025 Very Compact X-ray Specifications

Overall Dimensions:	109.1 cm (43.0") L x 58.4 cm (23.0") W x 103.6 cm (40.8") H
Inspection Capabilities	
Tunnel Size:	15.8" wide (40 cm) 10.0" high (25.5 cm) L-shaped detector for 100% package screening.
Material Penetration:	10 mm (0.39") steel, twice the penetration in its class.
Contrast Sensitivity:	Over 2 million color tones standard.
Resolution:	40 AWG wire.
Processing:	32-bit adaptive image processing with minimum 128 Mbytes memory; 800 MHz or 2.4 GHz processor.
Conveyor Speed:	48 feet per minute; 24 cm per second. Fully reversible.
Pulling Weight:	100 kg (220 lbs) standard; 200 kg (440 lbs) option
autoTracking®:	Belt guaranteed to autoTrack for life.
Film Safety:	Guaranteed for high-speed films up to ISO 1600 (33 DIN).
*Full autoSensing® without photosensors, moving parts, or footpad.	Reduces downtime and assures all magazines, envelopes or items are scanned, no matter how thin, or of bag already in tunnel at start-up. Enhances radiation safety.
X-ray Generator	
X-ray tube head:	Self-contained
High voltage rating:	90 kV standard
Duty cycle:	100% with sealed oil bath cooling
Beam orientation:	Diagonal 80°
Dose rate per exam:	0.1 mR. Lower doses available.

X-ray Detectors

Surface mounted, multilayer, fully integrated, high frequency, solid state detectors using high speed processors, and Pentium 4 image processing with Single Energy or optional Multi-Energy (M) Color.

Video

Standard with color 17" SVGA monitor. High resolution, flicker-free, .21 dot pitch, low rad. monitor, 1280 x 1024 video card. Single energy color is based on object density. Multi-Energy color option available with available second monitor or flat screen or larger monitor(s), displays organics in orange and inorganics in blue, both overlapping in green and very dense objects in black, and includes Organic and Inorganic Stripping.

Standard Features

- RealClear®
- autoDensAlert®
- autoTracking®
- autoSensing®
- autoOutline®
- autoScale®
- autoCal®
- 64X smart zoom
- Dark & Light enhance
- DensityScan
- Color; Reverse B/W
- High/Low Density & Stripping
- High density
- Undercarriage
- Brushed aluminum tunnel extensions
- Help
- Fast (25 second) initial warm-up
- Fully functional, robust, low profile
- Reversible conveyor direction

Options

- Multi-Energy (M) color material identification with organic and inorganic stripping
- Threat Image Projection (TIP)
- autoMatalert®
- Tropical Humidity Kit
- Loading or exit trays or rollerbeds
- Image Archiving
- LCD, dual or larger monitors
- Locking metal keypad cover
- Clear Lexan conveyor cover
- CE marking or UK ready
- kV, mA meter or item counter
- Power conditioner, or UPS
- Shorter 84 cm (33") 4025R version
- Variable height keypad mount
- Locking monitor hood
- Remote; printer or VCR cable
- Built-in Training
- Rental or leases
- Rollerbeds
- autoNet
- TipNet

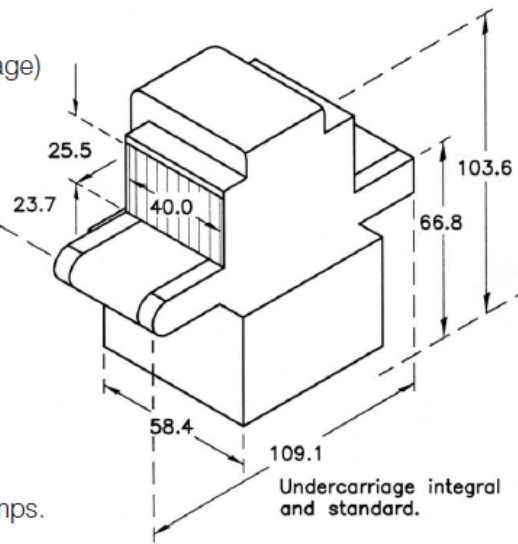
Physical Details

Dimensions: See drawing
 Weight: 410 lbs (186 kg) (including undercarriage)
 560 lbs (254 kg) crated

Construction: Unibody heavy gauge epoxy painted steel construction with stainless steel and aluminum trim and accessories. Non-marring casters. Corrosion-resistant command center keypad mounted on side or on available table.

Environmental Conditions: Temperature range: 32° - 104°F, (0° - 40°C) • Humidity 20% - 95%, non-condensing. Storage to 65°C (149°F)

Electrical Power Requirements: Consumption: < 0.7 kVA
 100, 120, 230 volts AC + 10%, < 7 amps.
 200, 220, 240, 250 volts AC ± 10%, < 3.5 amps. All at 50 or 60 Hz.



Dimensions are in centimeters
 Note: Non-marring casters

Metal Detector SA

metaldetectorsa@gmail.com | www.metaldetectorsa.co.za