

## METAL DETECTOR SA

[Metaldetectorsa.co.za](http://Metaldetectorsa.co.za) | [metaldetectorsa@gmail.com](mailto:metaldetectorsa@gmail.com)

### **SUPERSEARCH 4000 W/T DETECTOR**

#### **Operation**

The Super Search 4000 was designed as a quality security detector with most of the features of more expensive units. The unit incorporates a detector coil and infrared photocell in each side. When a preset amount of metal passing through the unit is exceeded an audio alarm is given. In addition, a set of voltage-free contacts is provided to actuate a remote alarm, or lock a turnstile, etc.

The unit has indication of power as well as whether the unit is functioning correctly. The Super Search 4000 is battery driven and will operate up to eight hours on one charge. The system is designed to recharge overnight with its built-in-charger.

**The Super Search 4000 comprises of five separate parts for easy transportation - assembled in minutes. The unit includes power and fault indication.**

#### **Construction**

The detector frame is constructed from fiberglass, which ensures that the unit is robust and durable, and will not deteriorate with time. The attractive modern shape incorporates open sides, which minimizes the feeling of being restricted.

The detector is normally stocked in a standard light gray, but alternative colors can be requested.



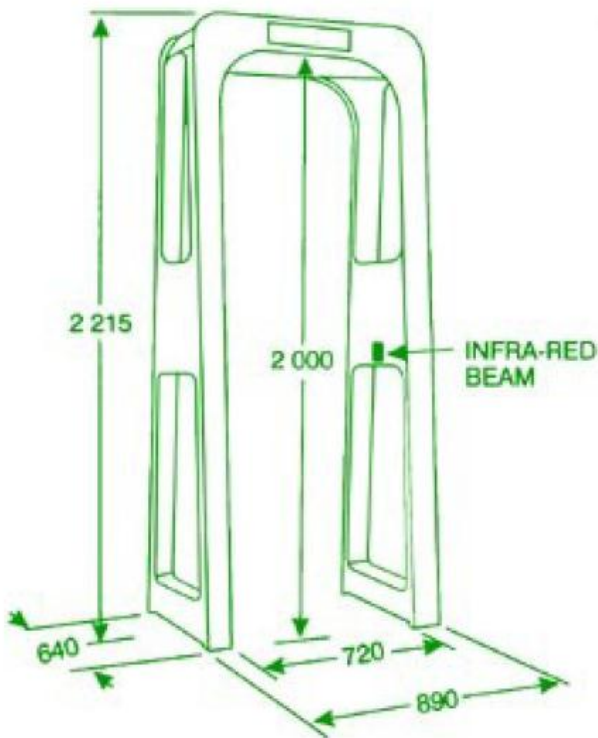
#### **Features:**

- Bi-directional operation
- Mass of metal indicator (optional)
- Detects ferrous and non-ferrous metals
- Free standing
- Battery backup system
- Infra-red photo cell
- Durable fiberglass construction
- Available in various colours
- Auto-balance
- Interlocking relay
- Weather proof top available
- Adjustable sensitivity

#### **Applications:**

- Public buildings
- Airports
- Law Courts
- Prisons
- Sporting Venues
- Concerts
- Night Clubs
- Industrial Facilities
- Banks

## Dimensions



Highly sensitive - Not recommended

## Technical Data

Supply Voltage: 220 volt/110 volt

Supply Voltage: 50/60 Hz  $\pm 5\%$

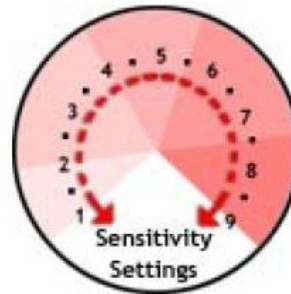
Power Consumption: 5,5VA

Audio Alarm

Weight: Approximately 45 KG

## Accessories

Weather proof top



## Sensitivity Settings

- Unit will not detect metal
- Detection of larger items
- Standard gun detection range
- Detection of smaller items only

Metal Detector SA